

Empty bottles inspector

IV700-VA



Empty bottles inspector **IV700-VA**

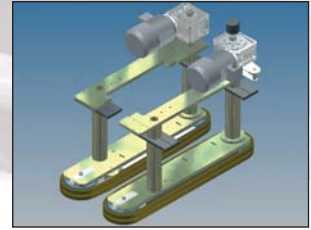
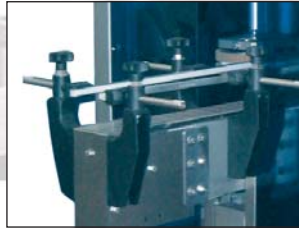
A modular machine for full inspection of empty glass or PET bottles, jars and cans to detect damage and contamination and check for foreign bodies or residues inside the containers. Designed for installation in medium/low speed production lines.



IV700-VA

Empty bottles
inspector

IV700-VA



MAIN FUNCTIONS

- base inspection for clear and opaque substances
- neck finish inspection
- sidewalls inspection (dirt and/or damage)
- scuffing detection
- washing liquid residue detection
- bottle verification at machine in feed
- rejection of broken or damaged bottles to a collecting container by means of "mono" rejection unit
- dirty bottles guided back to washer by means of progressive rejection unit

BASIC FEATURES

- compact, ergonomic mechanic structure
- microprocessor unit handling analogical and digital inputs and outputs
- easy and intuitive "FT Controls Manager" operator interface
- colour display 15" TFT Touch Screen
- simple size changeover using hand wheel and counter

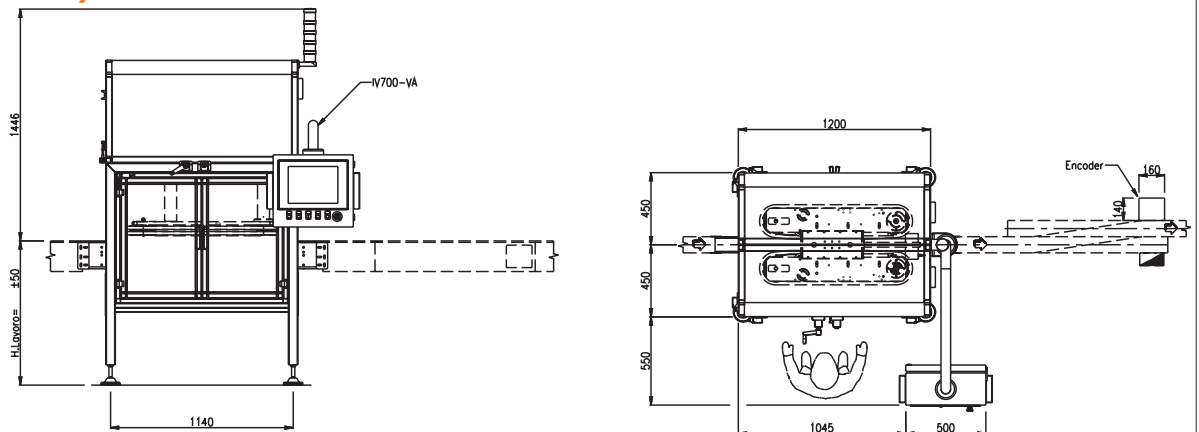
Technical features

Production capacity	Up to 20.000 bph
Precision	Depending on the verification type
Reading range	Depending on the verification type
Electric power supply	380 Triphase + N + T
Absorption	2 kW
Pneumatic supply	6 Bar 50 NI
Safety	According to CE rules
Weight	550 Kg

Accessories

- colour detection
- thread inspection
- infrared inspection for non conductive liquids
- automatic size changeover
- connection with FT System rejection systems
- telematic assistance connection
- extensions for additional FT System inspections

Standard lay-out



Copyright © 2008 FT System
IV700-VA - rev 1 - en



FT System

Filling Technology Systems

FT System S.r.l. - Via L. Da Vinci, 5/B - 29010 Alseno (PC) - Italy

Tel. +39 0523 945745 r.a. - Fax +39 0523 949777

www.ftsystem.it e-mail: info@ftsystem.it

Per informazioni rivolgersi a / For further information apply to: